

- Ideally suited for most industrial applications
- Easy installation, simple operation and maintenance free
- Full bore passage giving minimum flow resistance
- Suitable for process, chemical or food industries
- Lever or tee handle options

**Technical Data****Medium:**

Compressed air, water, inert gases and any other fluid compatible with the valve materials

**Port Sizes:**

1/4, 3/8, 1/2, 3/4, 1

**Operating Pressure:**

100 bar (1/4, 3/8, 1/2), 64 bar (3/4, 1)

**Operating Temperature:**

-20°C to 150°C

**Materials**

Body: Stainless Steel Investment casting AISI 316

Stem: Stainless Steel AISI 316

Ball Seats: Virgin PTFE

Lower & upper stem packing: virgin PTFE

Static gasket: Virgin PTFE

Ball: Stainless Steel AISI 316

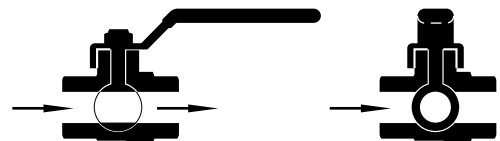
Viton 'O' rings

Lever handle: Stainless Steel AISI 304

End connection: Stainless Steel investment casting AISI 316

**Ordering Information**

To order quote the appropriate product numbers from the tables on the following pages.

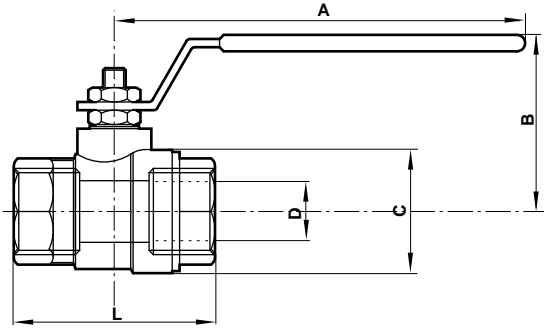




General Information

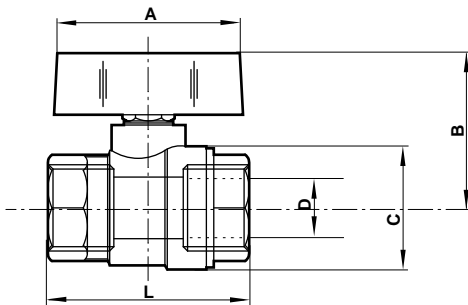
Series	Handle	Thread Standards
615112	Lever	ISO 7/1 Rp
615212	Tee	ISO 7/1 Rp

Lever Handle - 615112



Model	Thread Rp	Max Press (bar)	A	B	C	D through bore	L	M A/F
615112128	1/4	100	110	52,0	29,0	8	50	21,5
615112138	3/8	100	110	52,0	29,0	10	50	21,5
615112148	1/2	100	110	55,0	34,0	15	60	26,5
615112168	3/4	64	140	66,0	42,5	20	70	31,5
615112188	1	64	140	70,0	50,5	25	85	40,5

Tee Handle - 615212



Model	Thread Rp	Max Press (bar)	A	B	C	D through bar	L	M A/F
615212128	1/4	100	47	38	29,0	8	50	21,5
615212138	3/8	100	47	38	29,0	10	50	21,5
615212148	1/2	100	47	41	34,0	15	60	26,5
615212168	3/4	64	56	52	42,5	20	70	31,5
615212188	1	64	56	56	50,5	25	85	40,5

Warning

These products are intended for use in industrial compressed air systems only. Do not use these products where pressures and temperatures can exceed those listed under 'Technical Data'. Before using these products with fluids other than those specified, for non-industrial applications, life-support systems, or other applications not within published specifications, consult Norgren. Through misuse, age, or malfunction, components used in fluid power systems can fail in various modes. The system designer is warned to consider the failure modes of all component parts used in fluid power systems and to provide adequate safeguards to prevent personal injury or damage to equipment in the event of such failure. **System designers must provide a warning to end users in the system instructional manual if protection against a failure mode cannot be adequately provided.** System designers and end users are cautioned to review specific warnings found in instruction sheets packed and shipped with these products where applicable.